

COMPACT EXCAVATOR

**takeuchi**<sup>TM</sup>  
From World First to World Leader

# TB210R



Operating Weight: 1,150 kg

# Product Features & Specifications

## ENGINE

- EU Stage V / EPA Tier 4 Emission Compliant
- Double Element, Air Cleaner
- Automatic Fuel Bleed System
- Engine Preheat
- Extended Life Coolant
- High Capacity Fuel Filters

## ELECTRICAL

- Multi-Informational Display
- Warning Lamps / Indicators
- 12 volt System with 40 amp Alternator
- 1 Working Light on Boom
- Hour Meter
- Travel Alarm (optional)
- Additional Power Socket for Beacon Lump (optional)
- TSS (Takeuchi Security System, Immobilizer) (optional)\*

## UNDERCARRIAGE AND FRAME

- Hydraulically Retractable Track Frame (750 mm to 1,020 mm)
- 2-Speed Travel
- Backfill Blade with Pin-on Extensions
- Protective Counterweight
- 180 mm Rubber Crawlers

## OPERATOR'S STATION

- ROPS / TOPS Two Post Foldable Frame
- 2" Retractable Seat Belt
- Adjustable Lever Stand (optional)

## HYDRAULIC

- Hydraulic Joystick Controls
- Tandem Gear Pumps
- Auxiliary Hydraulic Circuit Plumbed to Arm
- Hydraulic Selector Valve (1-way / 2-way)
- Pilot Accumulator
- Hydraulic Tank with Fluid Level Sight Gauge
- Foot Pedal Control for Service Port 1
- Hydraulics with Detent for Hand Tools

## WORKING EQUIPMENT

- Independent Mono Boom Swing
- Cushioned Boom Cylinder
- Top Mount Boom Cylinder
- 880 mm Arm
- Pattern Change Valve (ISO or G) (optional)



Excellent Serviceability



Wraparound Counterweight

\*Functions may not be available in all countries, so please consult your Takeuchi dealer for details.



# TOUGH, POWERFUL, RELIABLE



**Optional Adjustable Level Stand**



**Auxiliary Hydraulics**



**Foldable Foot Pedals**



**Two-Speed Travel**

The TB210R features many upgrades that will enhance operator comfort, efficiency, and serviceability. To improve fine control and reduce fatigue, the TB210R now features pilot operated joystick controls that are low effort and responsive to operator input.

Additionally, an optional ISO/G pattern change valve has been added enabling the operator to choose their preferred operational pattern. The boom cylinder is now mounted on top of the boom for greater

protection and improved routing of the hydraulic lines which are run through the boom and arm. A hydraulically retractable track frame and the addition of a foldable ROPS frame allow it to easily pass through a standard doorway.

To reduce the likelihood of rear swing impacts, the TB210R also features a short tail swing design. Despite its compact dimensions, service access is exceptional thanks to the tilt-up seat pedestal and access panels.



**Spacious Operator's Station with New Pilot Operated Joysticks**

## OPERATING PERFORMANCE

|                               |                      |
|-------------------------------|----------------------|
| Operating Weight              | 1,150 kg             |
| Bucket Capacity (Heaped)      | 0.022 m <sup>3</sup> |
| Slew Speed                    | 10.0 min-1           |
| Travel Speed                  |                      |
| 1st                           | 2.0 km/h             |
| 2nd                           | 3.7 km/h             |
| Gradeability                  | 15°                  |
| Ground Pressure               | 28.0 kPa             |
| Maximum Bucket Breakout Force | 11.2 kN              |
| Maximum Arm Digging Force     | 6.4 kN               |
| Traction Force                | 12.8 kN              |
| Boom Swing Angle (Left/Right) | 85° / 85°            |

## ENGINE

|                          |                     |
|--------------------------|---------------------|
| Model                    | Kubota / D722-E4B   |
| Rated Output (ISO 14396) | 8.8 kW/2,200 min-1  |
| Maximum Torque           | 36.0 Nm/1,900 min-1 |
| Displacement             | 719 ml              |
| Alternator               | 12V - 0.48 kW       |
| Battery (IEC 60095-1)    | 12V - 36 A·h        |

## FLUID CAPACITY

|                              |        |
|------------------------------|--------|
| Engine Lubrication           | 2.8 L  |
| Cooling System               | 4.0 L  |
| Fuel Tank Capacity           | 12.0 L |
| Hydraulic Reservoir Capacity | 9.0 L  |
| Hydraulic System Capacity    | 15.0 L |

## HYDRAULIC SYSTEM

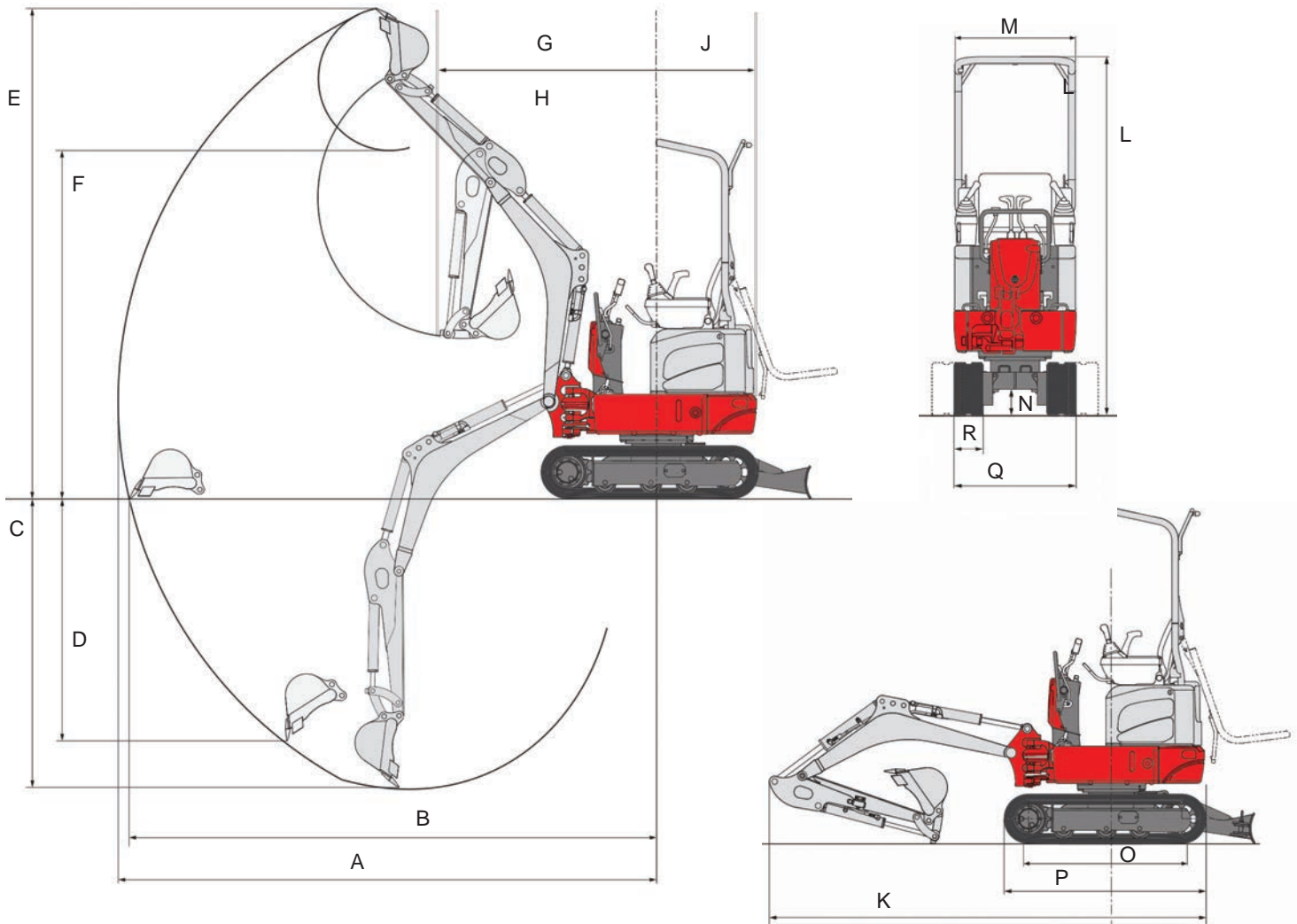
|                    |            |
|--------------------|------------|
| P1, P2             | Gear Pump  |
| Flow Rate          | 11.1 L/min |
| Relief Pressure    | 18.2 MPa   |
| P3                 | Gear Pump  |
| Flow Rate          | 5.8 L/min  |
| Relief Pressure    | 3.4 MPa    |
| Service Port 1     |            |
| Flow Rate          | 22.0 L/min |
| Hydraulic Pressure | 18.2 MPa   |

## SAFETY and HEALTH

|                   |                        |
|-------------------|------------------------|
| Vibration Levels  |                        |
| Hand / Arm        | ≤ 2.5 m/s <sup>2</sup> |
| Body              | ≤ 0.5 m/s <sup>2</sup> |
| Noise Level       |                        |
| Sound Power Level | L <sub>WA</sub> 91 dB  |



# TB210R Compact Excavator



## MACHINE DIMENSIONS

## 880 mm Arm

|    |   |          |
|----|---|----------|
| A  | Maximum Reach                             | 3,285 mm |
| B  | Maximum Reach at Ground Level             | 3,220 mm |
| C  | Maximum Digging Depth                     | 1,755 mm |
| D  | Maximum Vertical Digging Depth            | 1,475 mm |
| E  | Maximum Height of Cutting Edge            | 2,985 mm |
| F  | Maximum Dumping Height                    | 2,120 mm |
| G  | Front Swing Radius                        | 1,320 mm |
| H  | Front Swing Radius with Boom Offset       | 980 mm   |
| J  | Slew Radius                               | 610 mm   |
| K  | Overall Length                            | 2,955 mm |
| K' | Overall Length (canopy folded)            | 3,415 mm |
| L  | Overall Height                            | 2,190 mm |
| L' | Overall Height (canopy folded)            | 1,475 mm |
| M  | Upper Structure Overall Width             | 750 mm   |
| N  | Ground Clearance                          | 160 mm   |
| O  | Crawler Base                              | 1,005 mm |
| P  | Crawler Overall Length                    | 1,325 mm |
| Q  | Crawler Overall Width - Crawler Retracted | 750 mm   |
| Q' | Crawler Overall Width - Crawler Extended  | 1,020 mm |
| R  | Crawler Shoe Width                        | 180 mm   |





© 2019 Takeuchi MFG. Co., Ltd. All Rights Reserved. In accordance with our established policy of continued improvement, specifications and features are subject to change without notice. Pictures may show options other than standard equipment.

FORM: TB210R Compact Excavator Spec Sheet - Feb. 2019

**TAKEUCHI**<sup>™</sup>  
From World First to World Leader